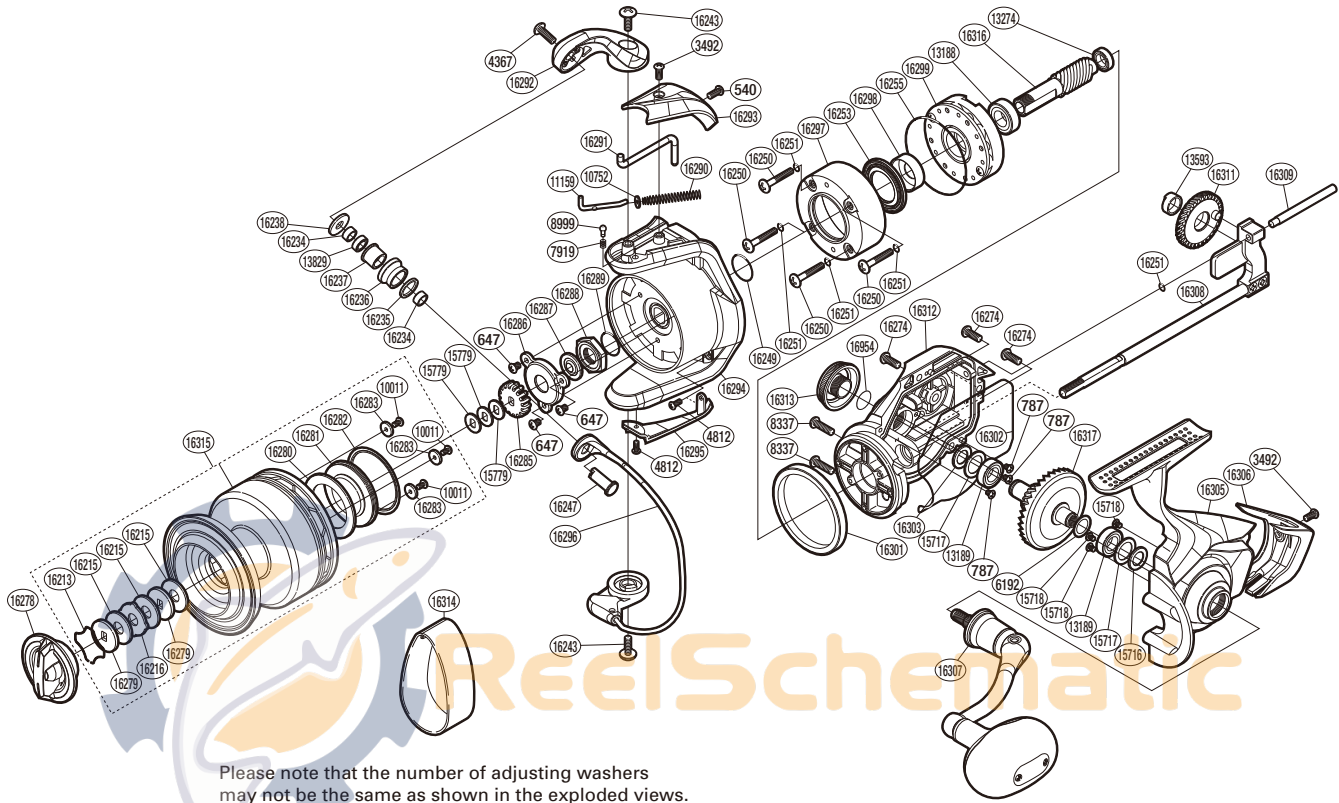


# SHIMANO

*Saragosa* SA-RB

SRG-10000SW



Please note that the number of adjusting washers may not be the same as shown in the exploded views. (Adjustment will vary with each individual product.)

(51SE778501U)

| Part No. | Description              | Part No. | Description               | Part No. | Description                     |
|----------|--------------------------|----------|---------------------------|----------|---------------------------------|
| RD 0540  | Screw                    | RD16235  | Line Roller Spacer        | RD16293  | Bail Spring Cover               |
| RD 0647  | Screw                    | RD16236  | Line Roller               | RD16294  | Rotor                           |
| RD 0787  | Screw                    | RD16237  | Line Roller Bushing       | RD16295  | Bail Hold Support Guard         |
| RD 3492  | Screw                    | RD16238  | Line Roller Washer        | RD16296  | Bail Assembly                   |
| RD 4367  | Screw                    | RD16243  | Screw                     | RD16297  | Roller Clutch Water Proof Cover |
| RD 4812  | Screw                    | RD16247  | Line Roller Support       | RD16298  | Rotor Ring                      |
| RD 6192  | Washer                   | RD16249  | O Ring                    | RD16299  | Roller Clutch Assembly          |
| RD 7919  | Click Spring             | RD16250  | Screw                     | RD16301  | Friction Ring                   |
| RD 8337  | Screw                    | RD16251  | O Ring                    | RD16302  | Body Seal                       |
| RD 8999  | Click Pin                | RD16253  | Roller Clutch Water Proof | RD16303  | Bearing Water Proof             |
| RD10011  | Screw                    | RD16255  | O Ring                    | RD16305  | Side Cover                      |
| RD10752  | Spring Guide A Support   | RD16274  | Screw                     | RD16306  | Rear Protector                  |
| RD11159  | Bail Spring Guide A      | RD16278  | Drag Knob                 | RD16307  | Handle Assembly                 |
| RD13188  | Ball Bearing             | RD16279  | Key Washer                | RD16308  | Main Shaft Assembly             |
| RD13189  | Ball Bearing             | RD16280  | Drag Washer               | RD16309  | Oscillating Guide               |
| RD13274  | Ball Bearing             | RD16281  | Spool Drag Disk           | RD16311  | Oscillating Gear                |
| RD13593  | Oscillating Gear Bushing | RD16282  | Spool Drag Disk Seal      | RD16312  | Body                            |
| RD13829  | Ball Bearing             | RD16283  | Washer                    | RD16313  | Handle Screw Cap                |
| RD15716  | Bearing Water Proof      | RD16285  | Spool Support             | RD16315  | Spool Assembly                  |
| RD15717  | Washer                   | RD16286  | Nut Lock Plate            | RD16316  | Pinion Gear                     |
| RD15718  | Screw                    | RD16287  | Bearing Water Proof       | RD16317  | Drive Gear                      |
| RD15779  | Spool Washer             | RD16288  | Rotor Nut                 | RD16586  | O Ring                          |
| RD16213  | Drag Washers Retainer    | RD16289  | O Ring                    |          |                                 |
| RD16215  | Drag Washer              | RD16290  | Bail Spring               |          |                                 |
| RD16216  | Eared Washer             | RD16291  | Bail Trip Lever           |          |                                 |
| RD16234  | Line Roller Collar       | RD16292  | Bail Arm                  | RD16314  | Line Band (accessory)           |